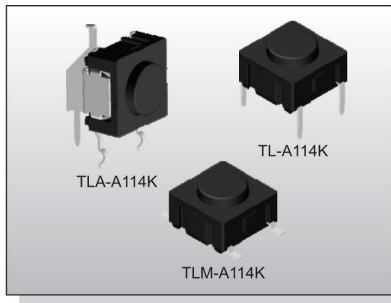


TACT SWITCH
TL()-A1 SERIES

10x10
High Reliability



FEATURES

- ※ Sealed
- ※ Long life of 10million
- ※ Variety of actuator lengths

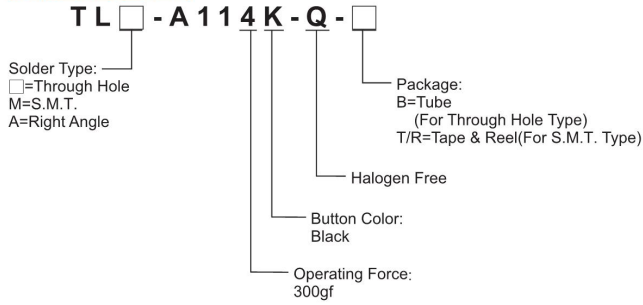
APPLICATION

- ※ Music instrument
- ※ Intercom system
- ※ Industrial

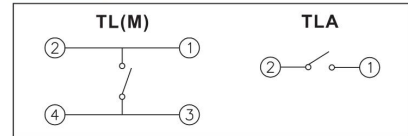
SPECIFICATION

Contact Rating	0.5~50mA, 24V DC
Contact Resistance	30mΩ max.
Insulation Resistance	10MΩ min. 100V DC
Dielectric Strength	250V AC/1 minute
Operating Force	300±75gf
Travel	1mm
Operating Life	10,000,000 cycles
Operating Temp.	-40°C ~ +160°C
Storage Temp.	-40°C ~ +160°C

HOW TO ORDER



CIRCUIT

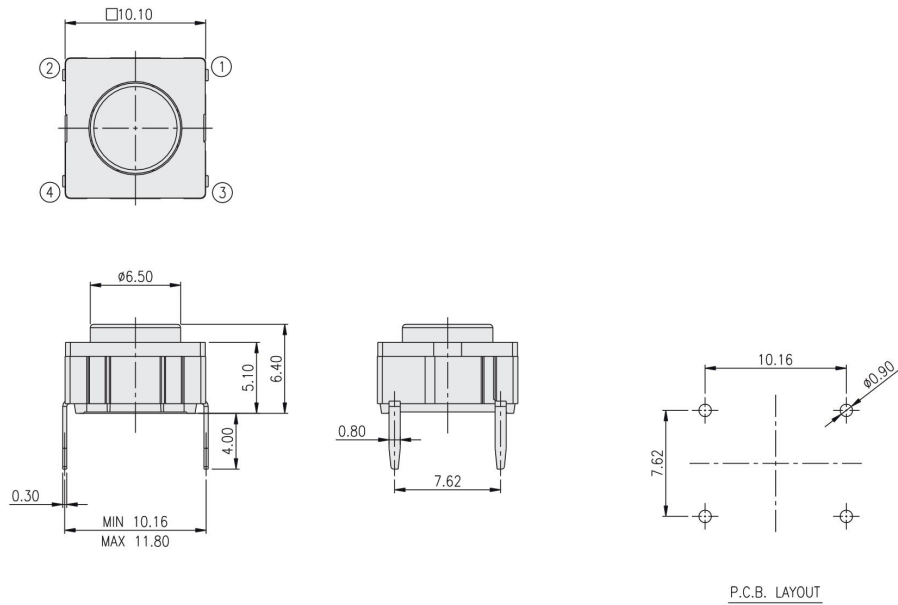


PACKAGE

<Tube>
TL(A): 45 pcs
<Tape & Reel>
TLM: 650 pcs

TACT SWITCH

TL-A114K

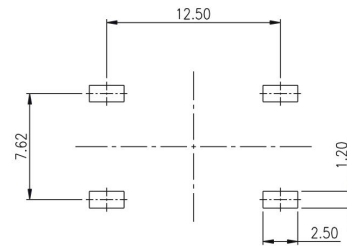
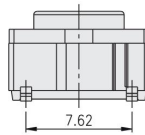
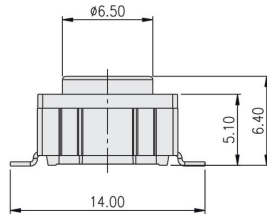
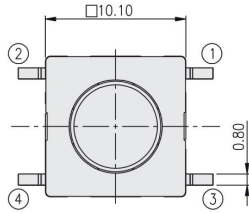


TACT SWITCH
TL()-A1 SERIES

10x10
High Reliability



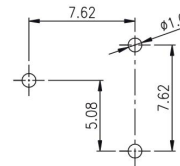
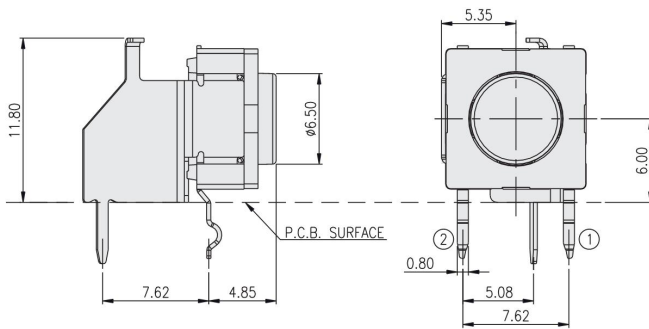
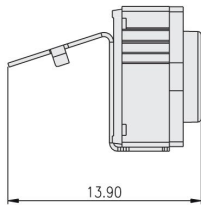
TLM-A114K



P.C.B. LAYOUT

TACT SWITCH

TLA-A114K



P.C.B. LAYOUT